

# SLATEFIBER SUB 20 SF

Technical Sheet

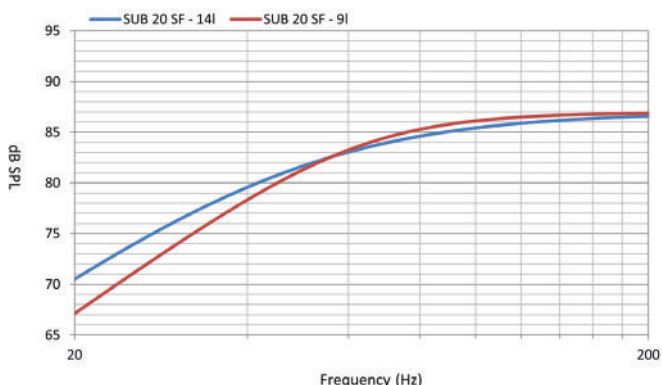
8" subwoofer



## SPECIFICATIONS

Nominal power	200W RMS	
Maximum power	400W	
Sensitivity	87dB	
Nom. impedance	4Ω	
Cone	Slatefiber	
Surround	Butyl	
DC resistance	2.8Ω	
VC diameter	52mm	2.05"
Former	Glass fiber	
Layers	4	
Wire	Copper	
Net weight	3300g	7.28lbs

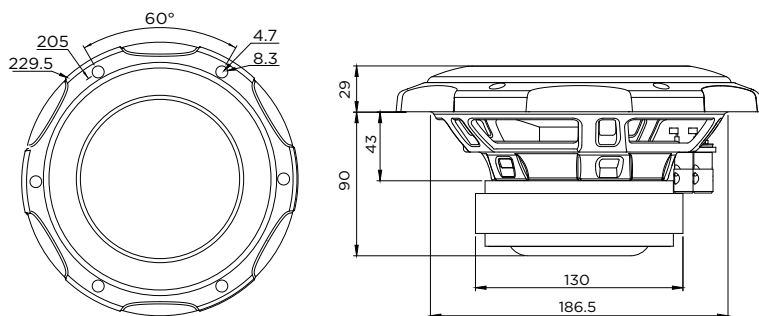
## FREQUENCY RESPONSE/IMPEDANCE



## PARAMETERS

Rdc	2.8Ω
Fs	36Hz
Mms	95g
Cms	0.2mm/N
Vas	12l
Qts	0.39
Qes	0.42
Qms	3.8
Bxl	11.8N/A
Sd	202cm <sup>2</sup>
SPL	87dB
Xmax	10mm

## MECHANICAL DRAWING (MM)



## SUGGESTED APPLICATIONS

Volume	F-3dB
9L (0.32 cu.ft.)	68Hz
14L (0.5 cu.ft.)	64Hz