

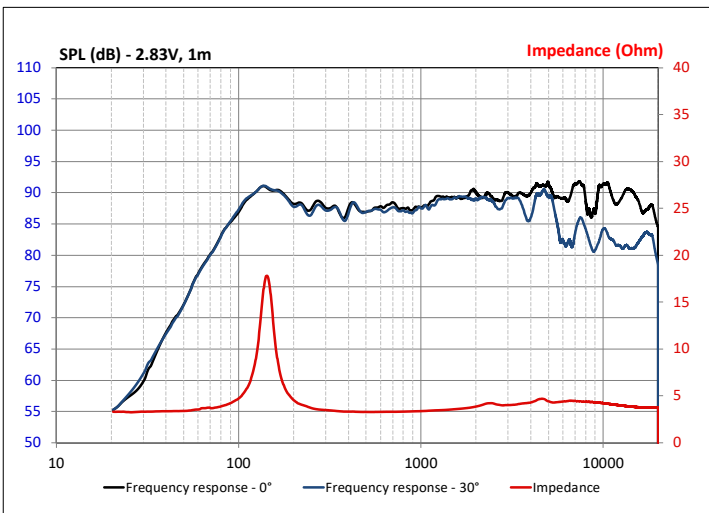
# Coaxial speaker



## SPECIFICATIONS

<b>Nominal power</b>	40W	
<b>Maximum power</b>	80W	
<b>Sensitivity</b>	88dB	
<b>Nom. impedance</b>	4 Ω	
<b>Cone</b>	Flax	
<b>Surround</b>	Butyl	
<b>DC resistance</b>	3.27Ω	
<b>VC diameter</b>	25mm	1"
<b>Former</b>	Kapton	
<b>Layers</b>	2	
<b>Wire</b>	Copper	
<b>Net weight</b>	250g	0.55 lbs

## IMPEDANCE

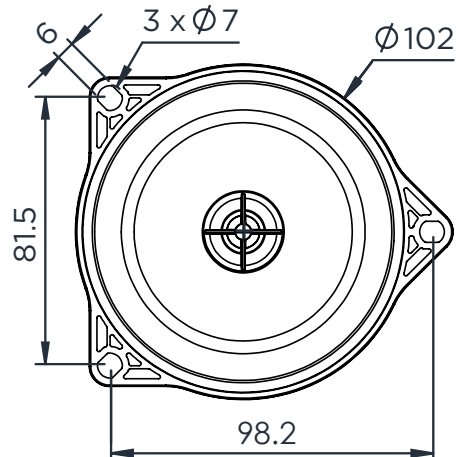
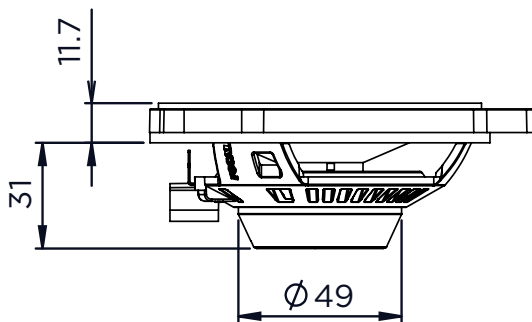


## PARAMETERS

<b>Rdc</b>	3.27Ω
<b>Fs</b>	144Hz
<b>Mms</b>	4.9g
<b>Cms</b>	0.246mm/N
<b>Vas</b>	0.87 l
<b>Qts</b>	1.392
<b>Qes</b>	1.648
<b>Qms</b>	8.99
<b>Bxl</b>	2.98N/A
<b>Sd</b>	50.27cm <sup>2</sup>
<b>SPL</b>	84.07dB
<b>Xmax</b>	4mm

## MECHANICAL DRAWING

Dimensions in mm



**FOCAL<sup>®</sup> INSIDE**

Focal<sup>®</sup> is a trademark of Focal-JMLab<sup>®</sup> - [www.focal.com](http://www.focal.com) - SCLC - 10/05/2023 - v1

