

ICC T3Y 100

Technical Sheet

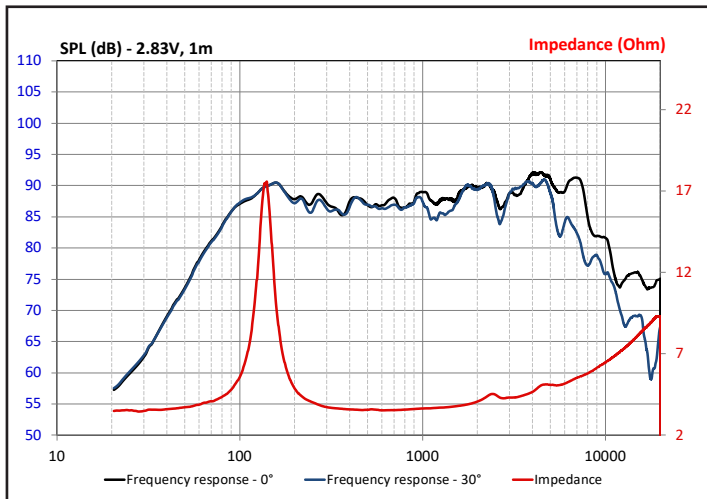
Midrange



SPECIFICATIONS

Nominal power	50W
Maximum power	100W
Sensitivity	87dB
Nom. impedance	4Ω
Cone	Flax
Surround	Butyl
DC resistance	3.4Ω
VC diameter	25mm 1"
Former	Kapton
Layers	2
Wire	Copper
Net weight	250g 0.55lbs

FREQUENCY RESPONSE/IMPEDANCE

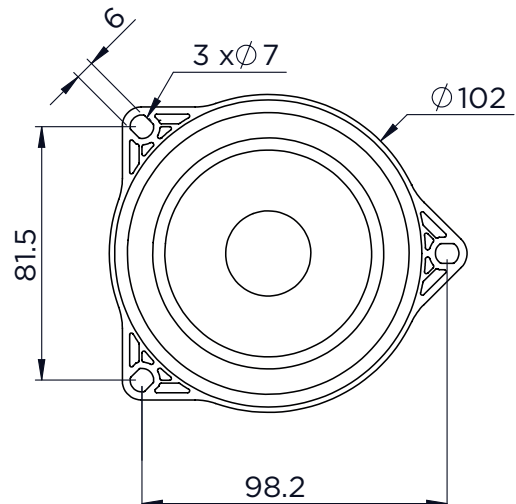
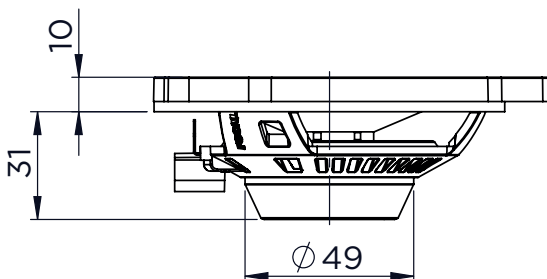


PARAMETERS

Rdc	3.4Ω
Fs	139Hz
Mms	6.7g
Cms	0.2mm/N
Vas	0.7l
Qts	1.2
Qes	1.45
Qms	7
Bxl	3.7N/A
Sd	50.3cm ²
SPL	83.15dB
Xmax	4mm

MECHANICAL DRAWING

Dimensions in mm



FOCAL INSIDE

Focal is a trademark of Focal-JMLab - www.focal.com - SCLC - 09/05/2023 - v1

FOCAL

ICC T3Y 100

Technical Sheet

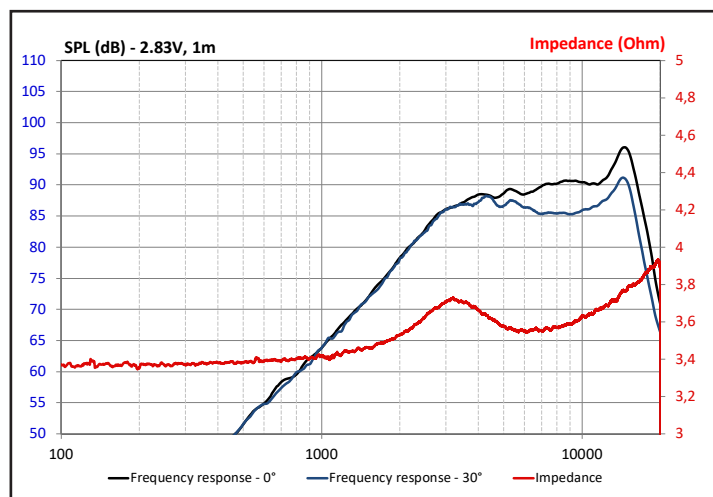
Tweeter



SPECIFICATIONS

Nominal power	15W
Maximum power	100W
Sensitivity	91dB
Nom. impedance	4Ω
Cone	Alu
DC resistance	3.4Ω
VC diameter	20mm 0.8"
Former	Kapton
Layers	2
Wire	Alu
Net weight	40g 0.08lbs

FREQUENCY RESPONSE/IMPEDANCE

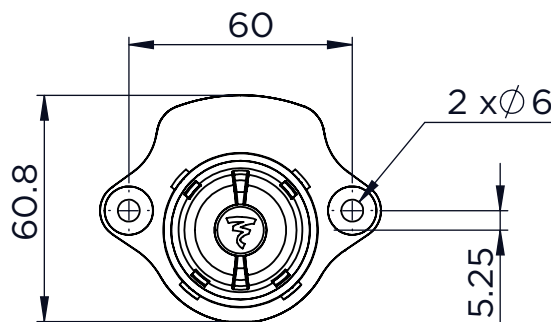
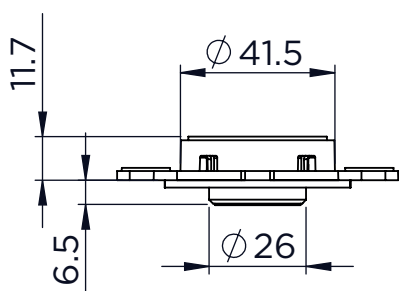


PARAMETERS

Rdc	3.5Ω
Fs	3.200Hz
SPL	88dB

MECHANICAL DRAWING

Dimensions in mm



FOCAL® *INSIDE*