

# P60 LIMITED EDITION

## P60 WF

### Technical Sheet

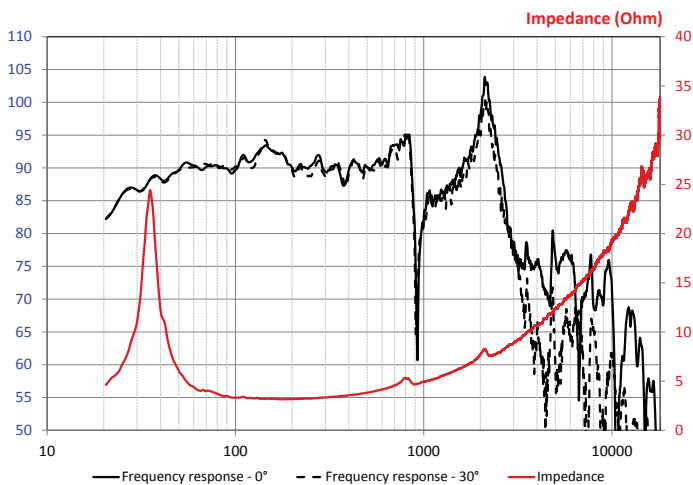
#### 8" woofer



#### SPECIFICATIONS

Nominal power	100W	
Maximum power	200W	
Sensitivity	91dB	
Nom. impedance	4Ω	
Frequency response	35Hz-500Hz	
Cone	W	
Surround	Butyl	
VC diameter	40mm	1 <sup>5</sup> / <sub>8</sub> "
Net weight	1200g	2.65lbs
Depth	50mm	1 <sup>5</sup> / <sub>8</sub> "
Cone diameter	20cm	8"
Magnet	Neodymium	

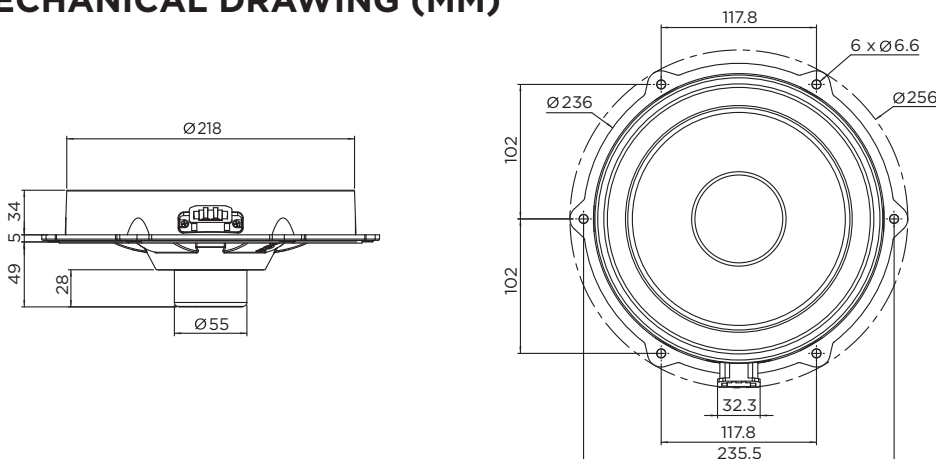
#### FREQUENCY RESPONSE/IMPEDANCE



#### PARAMETERS

Rdc	3.06Ω	
Fs	39.5Hz	
Mms	40g	0.09lb
Cms	0.4mm/N	
Vas	41.54l	
Qts	0.871	
Qes	0.98	
Qms	7.77	
Bxl	5.57N/A	
Sd	268.8cm	105 <sup>7</sup> / <sub>8</sub> "

#### MECHANICAL DRAWING (MM)



# P60 LIMITED EDITION

## P60 MED

### Technical Sheet

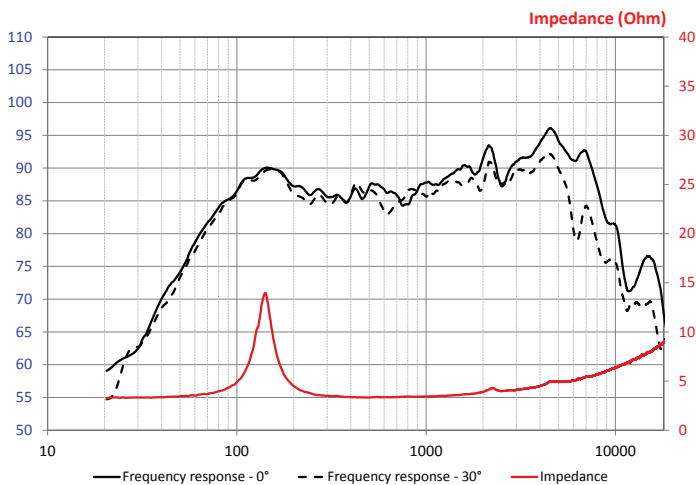
4" medium



### SPECIFICATIONS

Nominal power	50W	
Maximum power	100W	
Sensitivity	87dB	
Nom. impedance	4Ω	
Frequency response	150Hz-2500Hz	
Cone	W	
Surround	Butyl	
VC diameter	25mm	1"
Net weight	250g	0.55lbs
Depth	33.8mm	1 <sup>3</sup> / <sub>8</sub> "
Cone diameter	10cm	4"
Magnet	Neodymium	

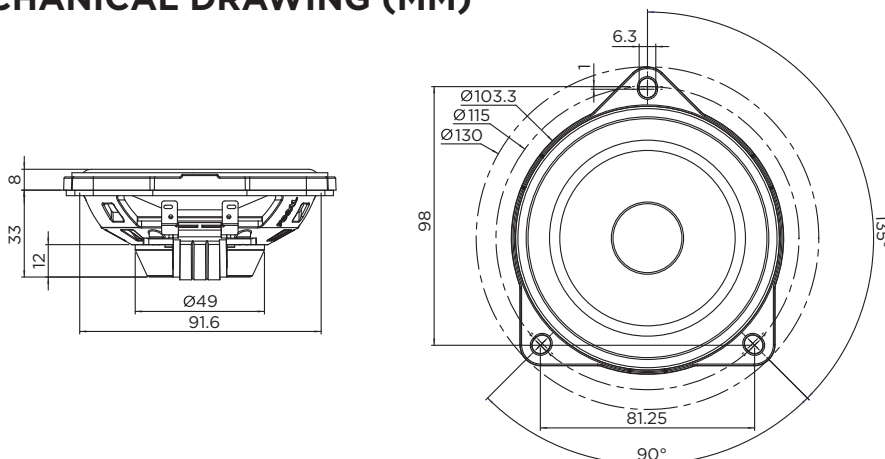
### FREQUENCY RESPONSE/IMPEDANCE



### PARAMETERS

Rdc	3.3Ω	
Fs	144Hz	
Mms	4.9g	0.01lb
Cms	0.246mm/N	
Vas	0.9l	
Qts	1.32	
Qes	1.7	
Qms	5.9	
Bxl	2.958N/A	
Sd	50.27cm	19 <sup>3</sup> / <sub>4</sub> "

### MECHANICAL DRAWING (MM)



# P60 LIMITED EDITION

## P60 TW

Technical Sheet

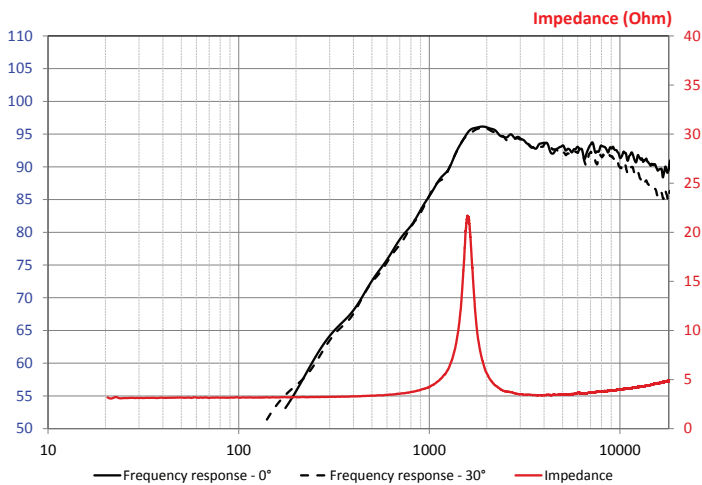
### Tweeter



### SPECIFICATIONS

Nominal power	15W	
Maximum power	100W	
Sensitivity	93.5dB	
Nom. impedance	4Ω	
Frequency response	2.5kHz-40kHz	
Cone	Beryllium inverted dome tweeter	
Surround	Foam	
VC diameter	20mm	3/4"
Net weight	50g	0.11lb
Depth	24.15mm	1"
Cone diameter	42mm	1 5/8"
Magnet	Neodymium	

### FREQUENCY RESPONSE/IMPEDANCE



### PARAMETERS

Rdc	3.1Ω
Fs	1600Hz
Sd	7cm <sup>2</sup>

### MECHANICAL DRAWING (MM)

