

SLATEFIBER

PS 165 SF

Technical Sheet

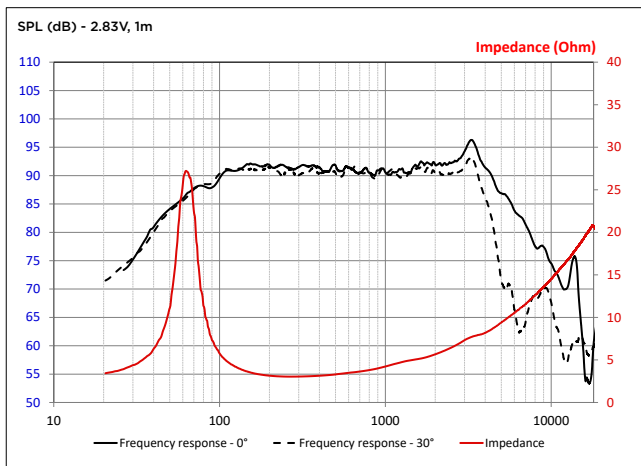
6.5" Woofer



SPECIFICATIONS

Nominal power	80W
Maximum power	160W
Sensitivity	91dB
Nom. impedance	4 Ω
Frequency response	60Hz-21kHz
Cone	Slatefiber
Surround	Butyl
VC diameter	25mm 1"
Net weight	950g

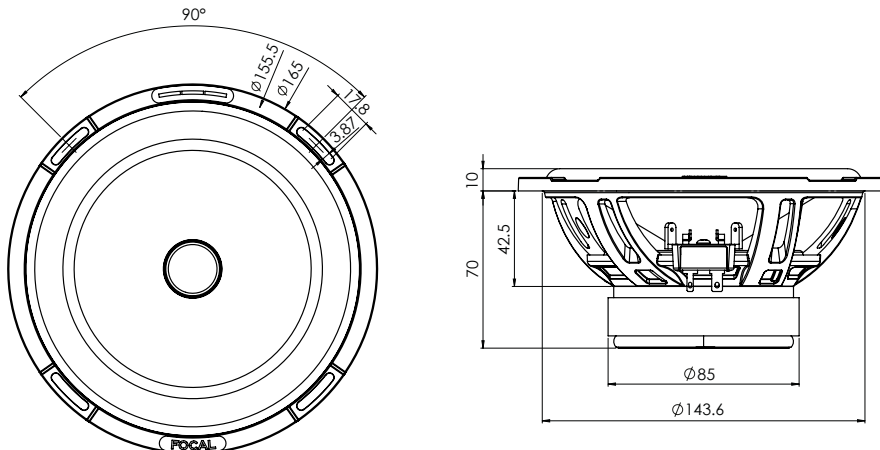
FREQUENCY RESPONSE/IMPEDANCE



PARAMETERS

Rdc	2.8 Ω
Fs	66.8Hz
Mms	12.62g
Cms	0.47mm/N
Vas	11.72 l
Qts	0.592
Qes	0.632
Qms	9.57
Bxl	4.8N/A
Sd	132cm

MECHANICAL DRAWING



SLATEFIBER TWEETER

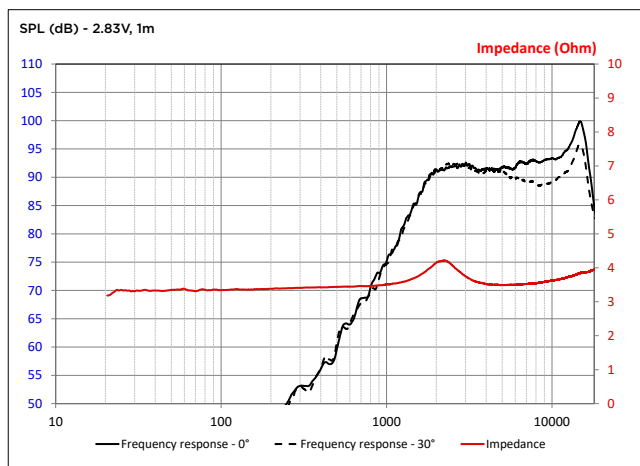
Technical Sheet



SPECIFICATIONS

Nominal power	15W	
Maximum power	100W	
Sensitivity	93dB	
Nom. impedance	4 Ω	
Frequency response	3000Hz-21kHz	
Cone	Al/Mg	
Surround	Poron®	
VC diameter	20mm	0.8"
Net weight	50g	0.11lbs

FREQUENCY RESPONSE/IMPEDANCE



PARAMETERS

Rdc	4 Ω
Fs	2.6kHz

MECHANICAL DRAWING

