

IS VW 180

Technical Sheet

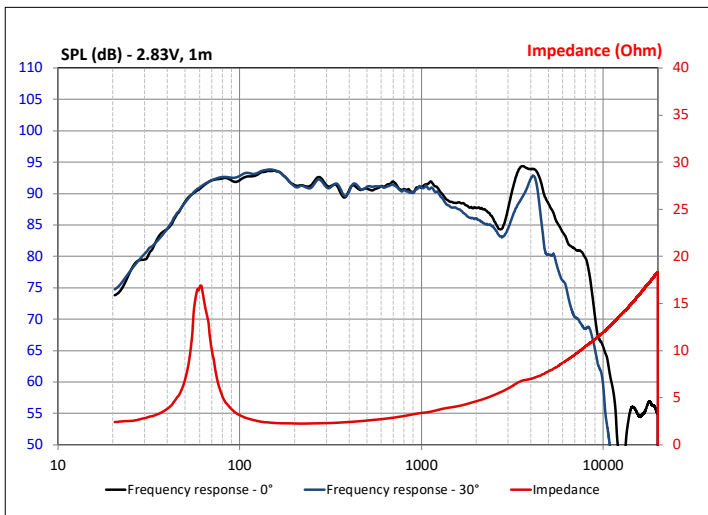
Woofer



SPECIFICATIONS

Nominal power	75W
Maximum power	150W
Sensitivity	94dB
Nom. impedance	2 Ω
Cone	Black Polyglass
Surround	Butyl
DC resistance	2.07 Ω
VC diameter	25mm 1"
Former	Kapton
Layers	2
Wire	Copper
Net weight	1050g 2.31 lbs

FREQUENCY RESPONSE/IMPEDANCE

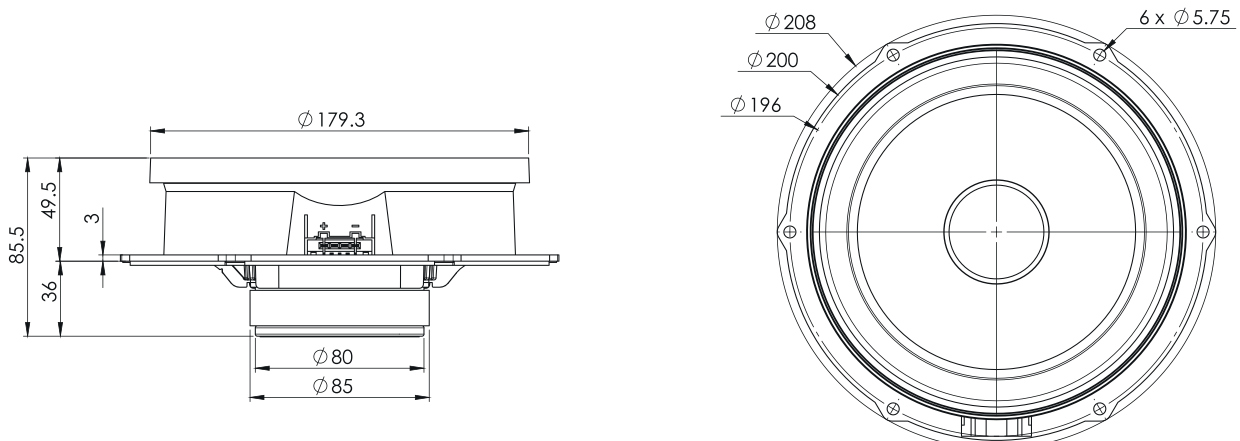


PARAMETERS

Rdc	2.07 Ω
Fs	62.4Hz
Mms	24.7g
Cms	0.264mm/N
Vas	12.6 l
Qts	0.695
Qes	0.782
Qms	6.23
Bxl	5.06N/A
Sd	183.35cm ²
SPL	88dB
Xmax	7mm

MECHANICAL DRAWING

Dimensions in mm



FOCAL® *INSIDE*

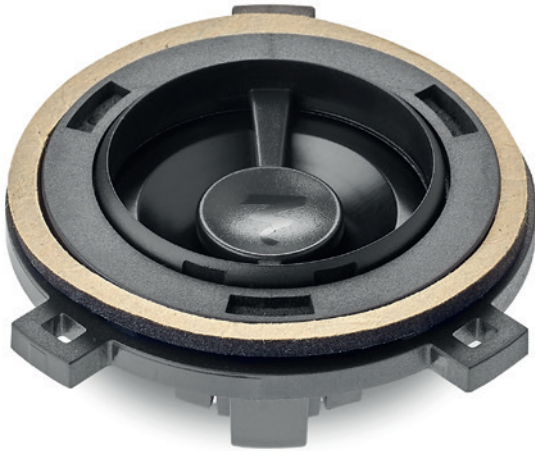
Focal® is a trademark of Focal-JMLab® - www.focal.com - SCCG - 09/11/2020 - v1

FOCAL®

TWEETER VW

Technical Sheet

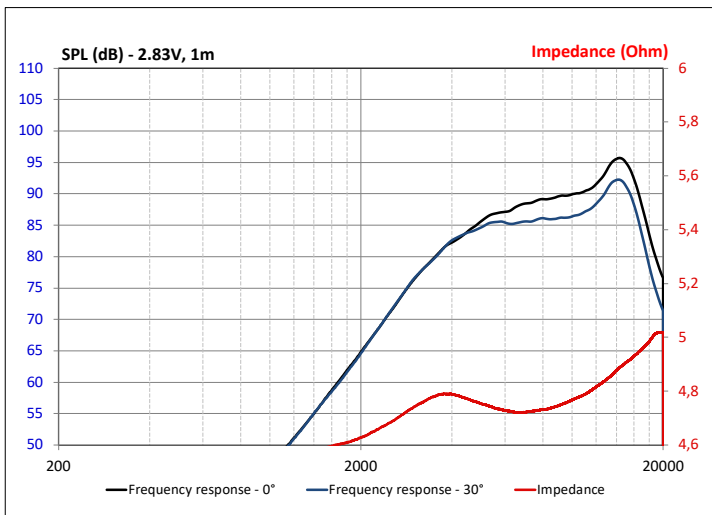
Tweeter



SPECIFICATIONS

Nominal power	15W
Maximum power	100W
Sensitivity	91dB
Nom. impedance	4 Ω
Cone	Aluminium
Surround	Fabric
DC resistance	3.5 Ω
Former	Kapton
Layers	2
Wire	Aluminium
Net weight	50g 0.11 lbs

FREQUENCY RESPONSE/IMPEDANCE

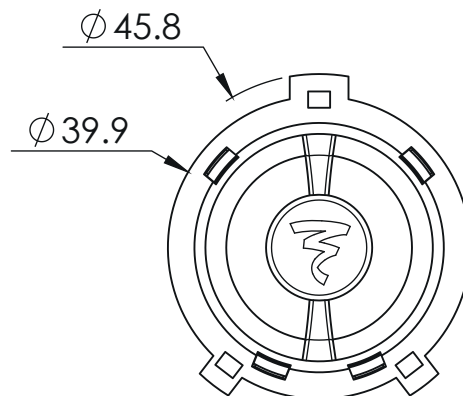
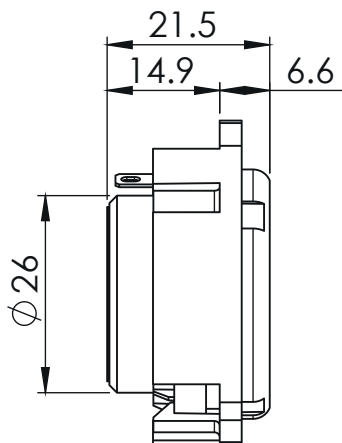


PARAMETERS

Rdc	3.5 Ω
Fs	3875Hz
Mms	24.7g
SPL	88dB

MECHANICAL DRAWING

Dimensions in mm



FOCAL® *INSIDE*

Focal® is a trademark of Focal-JMLab® - www.focal.com - SCCG - 09/11/2020 - v1

FOCAL®