

# IS VW 155

## Technical Sheet

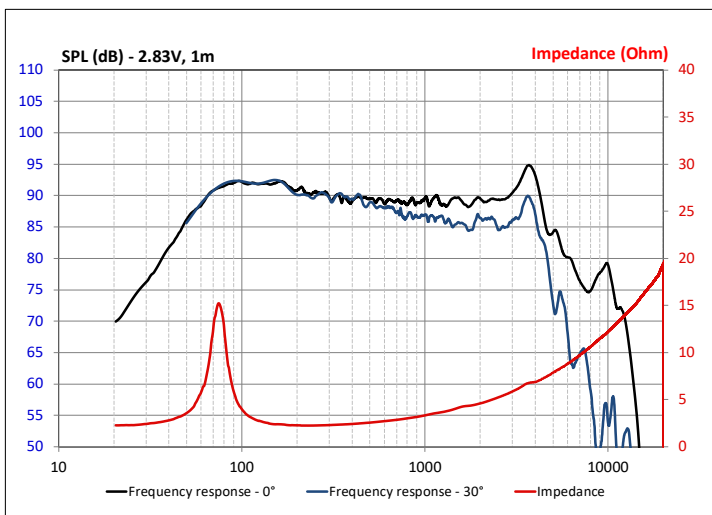
### Woofer



### SPECIFICATIONS

Nominal power	50W
Maximum power	100W
Sensitivity	92dB
Nom. impedance	2 Ω
Cone	Black Polyglass
Surround	Butyl
DC resistance	2.08 Ω
VC diameter	25mm 1"
Former	Kapton
Layers	2
Wire	Copper
Net weight	700g 1.54 lbs

### FREQUENCY RESPONSE/IMPEDANCE

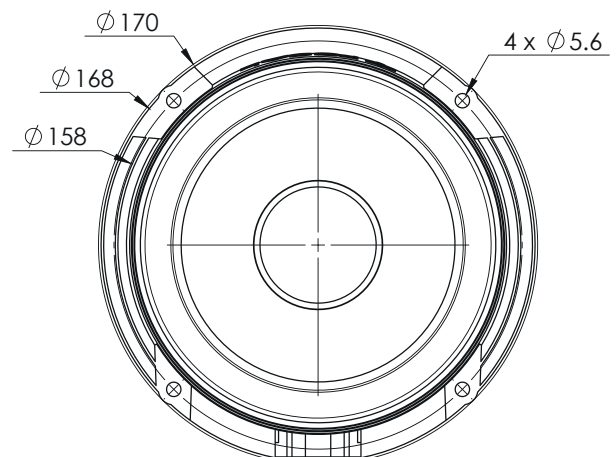
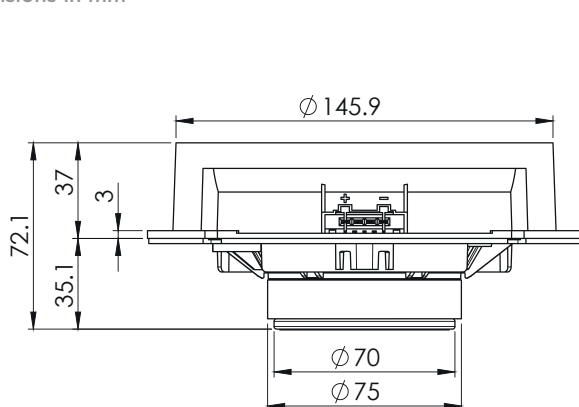


### PARAMETERS

Rdc	2.03 Ω
Fs	73.7Hz
Mms	16g
Cms	0.29mm/N
Vas	5.99 l
Qts	0.868
Qes	0.99
Qms	7
Bxl	3.94N/A
Sd	120.76cm <sup>2</sup>
SPL	86dB
Xmax	7mm

### MECHANICAL DRAWING

Dimensions in mm



FOCAL® INSIDE

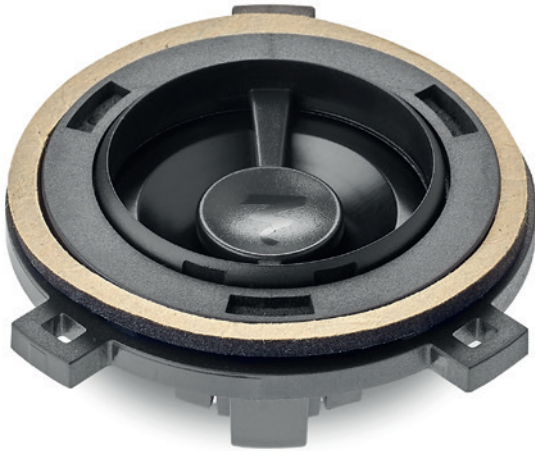
Focal® is a trademark of Focal-JMLab® - www.focal.com - SCCG - 09/11/2020 - v1

FOCAL®

# TWEETER VW

## Technical Sheet

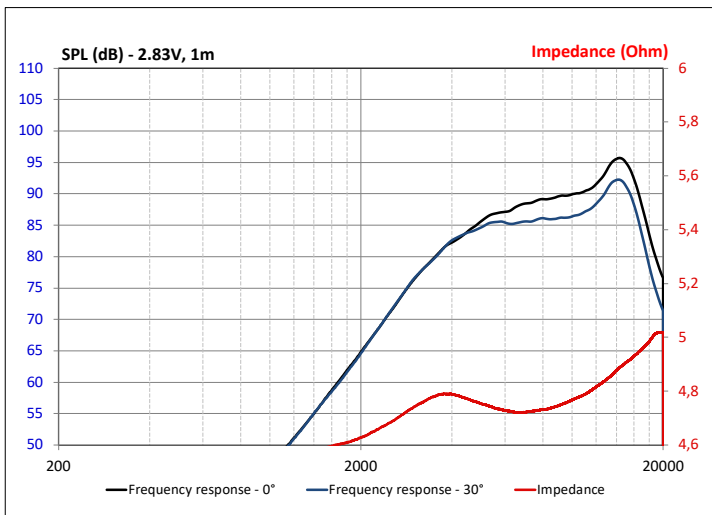
### Tweeter



### SPECIFICATIONS

Nominal power	15W
Maximum power	100W
Sensitivity	91dB
Nom. impedance	4 Ω
Cone	Aluminium
Surround	Fabric
DC resistance	3.5 Ω
Former	Kapton
Layers	2
Wire	Aluminium
Net weight	50g      0.11 lbs

### FREQUENCY RESPONSE/IMPEDANCE

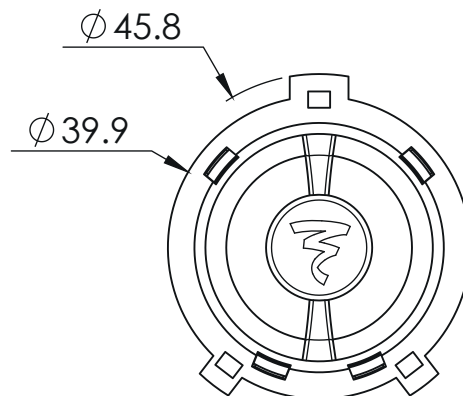
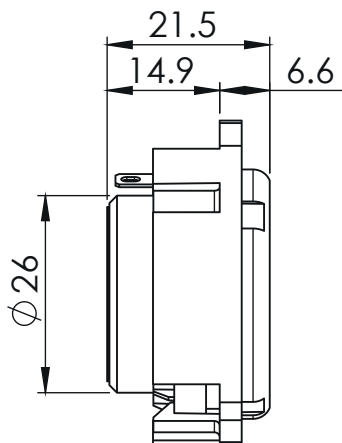


### PARAMETERS

Rdc	3.5 Ω
Fs	3875Hz
Mms	24.7g
SPL	88dB

### MECHANICAL DRAWING

Dimensions in mm



**FOCAL**® INSIDE

Focal® is a trademark of Focal-JMLab® - [www.focal.com](http://www.focal.com) - SCCG - 09/11/2020 - v1

**FOCAL**®