

IS MBZ 100

Technical Sheet

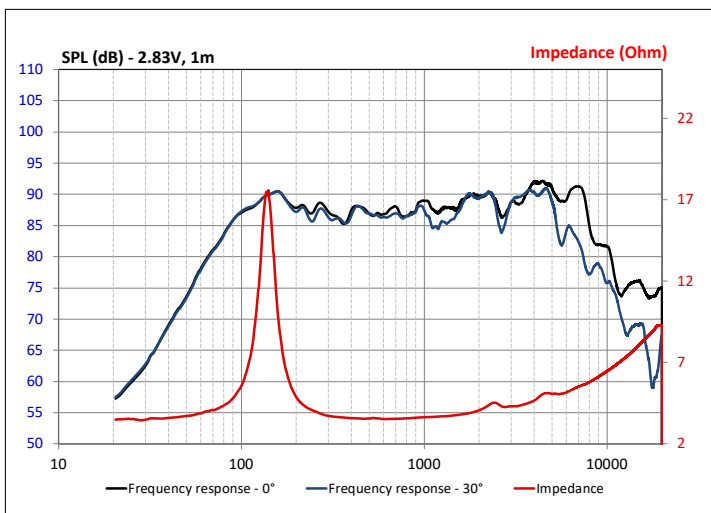
Woofer



SPECIFICATIONS

Nominal power	50W
Maximum power	100W
Sensitivity	87dB
Nom. impedance	4 Ω
Cone	Flax
Surround	Butyl
DC resistance	3.4 Ω
VC diameter	25mm 1"
Former	Kapton
Layers	2
Wire	Copper
Net weight	250g 0.55 lbs

FREQUENCY RESPONSE/IMPEDANCE

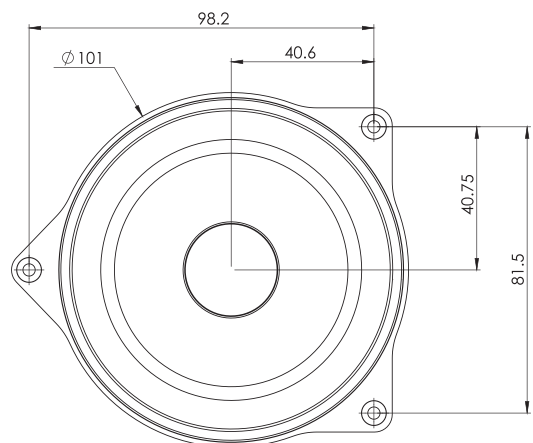
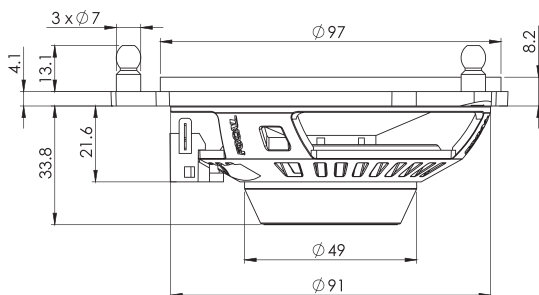


PARAMETERS

Rdc	3.4 Ω
Fs	139Hz
Mms	6.7g
Cms	0.2mm/N
Vas	0.7 l
Qts	1.2
Qes	1.45
Qms	7
Bxl	3.7N/A
Sd	50.3cm ²
SPL	83.15dB
Xmax	4mm

MECHANICAL DRAWING

Dimensions in mm



FOCAL® INSIDE

Focal® is a trademark of Focal-JMLab® - www.focal.com - SCCG - 12/11/2020 - v1

FOCAL®

TWEETER MBZ

Technical Sheet

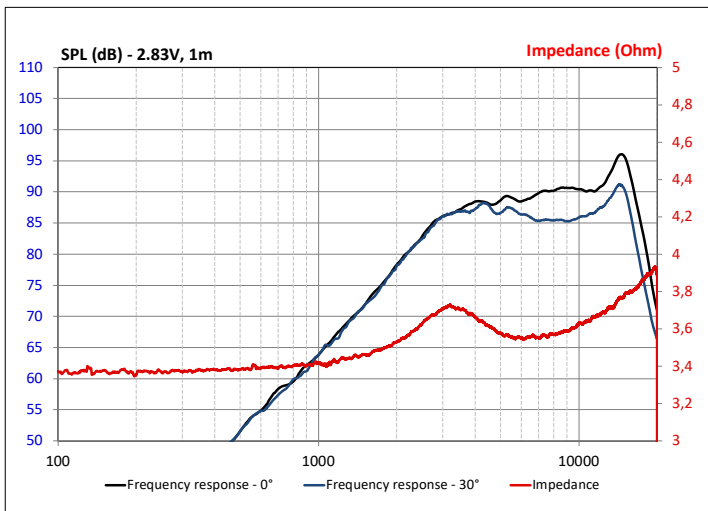
Tweeter



SPECIFICATIONS

Nominal power	15W
Maximum power	100W
Sensitivity	91dB
Nom. impedance	4 Ω
Cone	Alu
DC resistance	3.4 Ω
VC diameter	20mm 0.8"
Former	Kapton
Layers	2
Wire	Alu
Net weight	40g 0.08 lbs

FREQUENCY RESPONSE/IMPEDANCE

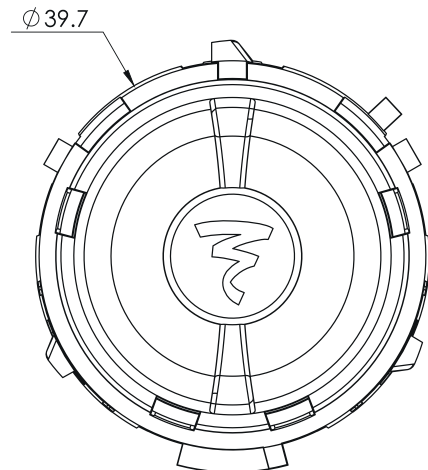
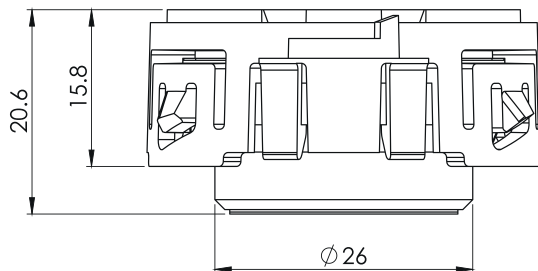


PARAMETERS

Rdc	3.5 Ω
Fs	3200Hz
SPL	88dB

MECHANICAL DRAWING

Dimensions in mm



FOCAL® INSIDE

Focal® is a trademark of Focal-JMLab® - www.focal.com - SCCG - 12/11/2020 - v1

FOCAL®