

# IC MBZ 100

Technical Sheet

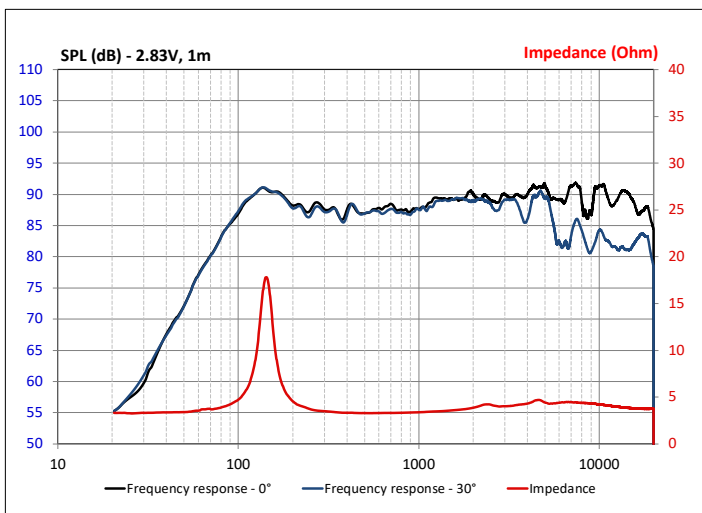
## Coaxial speaker



## SPECIFICATIONS

Nominal power	40W
Maximum power	80W
Sensitivity	88dB
Nom. impedance	4 Ω
Cone	Flax
Surround	Butyl
DC resistance	3.27 Ω
VC diameter	25mm 1"
Former	Kapton
Layers	2
Wire	Copper
Net weight	250g 0.55 lbs

## FREQUENCY RESPONSE/IMPEDANCE

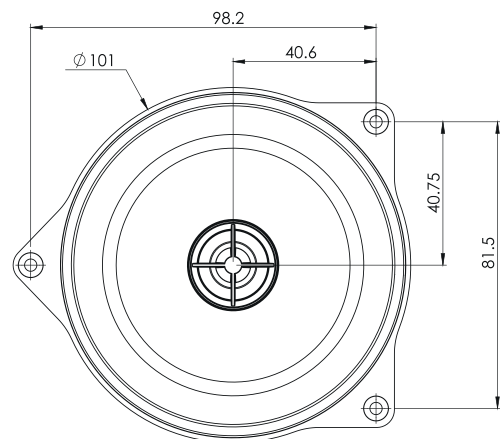
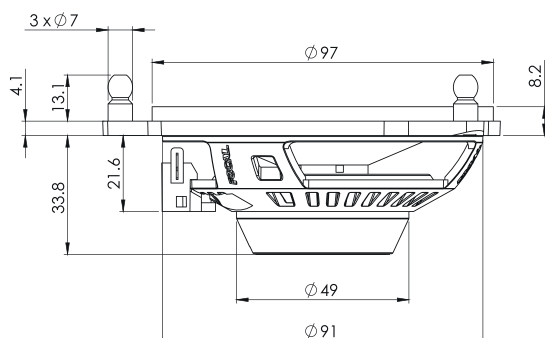


## PARAMETERS

Rdc	3.27 Ω
Fs	144Hz
Mms	4.9g
Cms	0.246mm/N
Vas	0.87 l
Qts	1.392
Qes	1.648
Qms	8.99
Bxl	2.98N/A
Sd	50.27cm <sup>2</sup>
SPL	84.07dB
Xmax	4mm

## MECHANICAL DRAWING

Dimensions in mm



**FOCAL® INSIDE**

Focal® is a trademark of Focal-JMLab® - [www.focal.com](http://www.focal.com) - SCCG - 12/11/2020 - v1

**FOCAL®**