

IS FORD 165

Technical Sheet

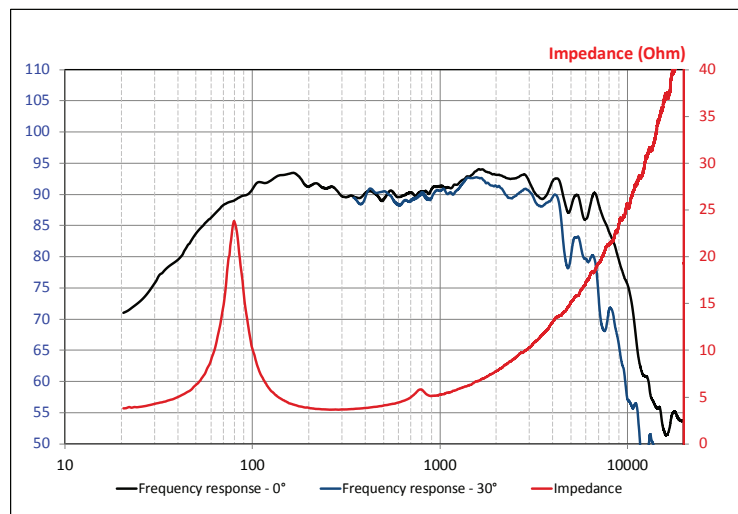
Woofer



SPECIFICATIONS

Nominal power	60W
Maximum power	120W
Sensitivity	91.7dB
Nom. impedance	4Ω
Cone	Black Polyglass
Surround	Butyl
DC resistance	3.48Ω
VC diameter	25mm 1"
Former	Kapton
Layers	2
Wire	Copper
Net weight	860g 1.9lbs

FREQUENCY RESPONSE/IMPEDANCE

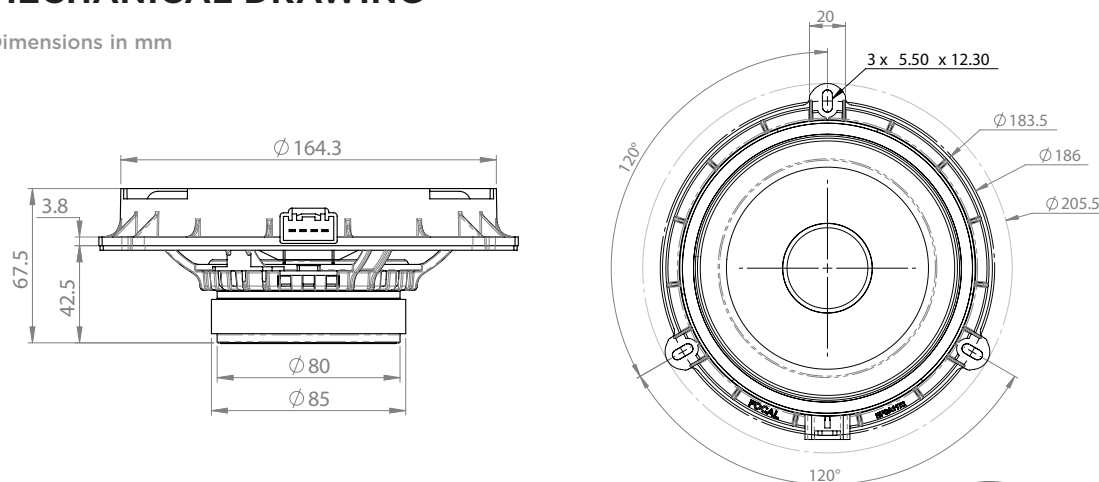


PARAMETERS

Rdc	3.48Ω
Fs	81.9Hz
Mms	13g
Cms	0.29mm/N
Vas	7.68l
Qts	0.696
Qes	0.821
Qms	4.559
Bxl	5.32N/A
Sd	136.85cm ²
SPL	88.7dB
Xmax	3.5mm

MECHANICAL DRAWING

Dimensions in mm



FOCAL[®] INSIDE

ORCA DESIGN & MFG. CORP | CAMARILLO, CA | ORCADESIGN.COM | FOCAL AMERICA | FOCAL-AMERICA.COM

FOCAL[®]
LISTEN BEYOND

TWEETER FORD

Technical Sheet

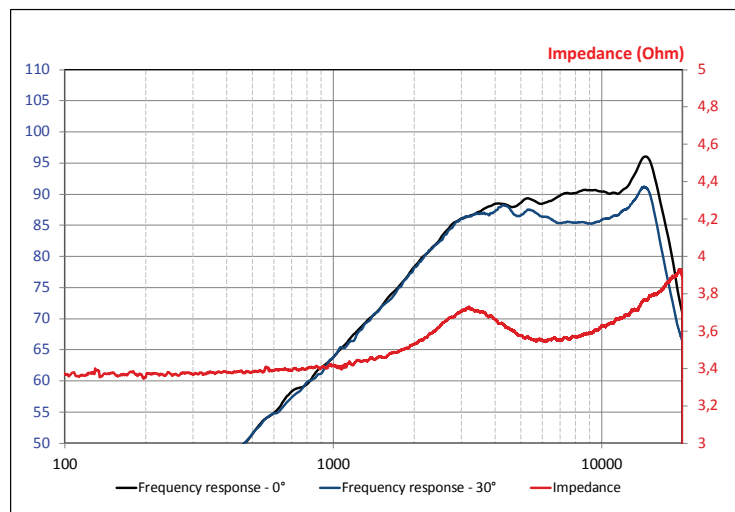
Tweeter



SPECIFICATIONS

Nominal power	15W
Maximum power	100W
Sensitivity	91dB
Nom. impedance	4Ω
Cone	Alu
DC resistance	3,4Ω
VC diameter	20mm ^{13/16"}
Former	Kapton
Layers	2
Wire	Alu
Net weight	40g 0.09lbs

FREQUENCY RESPONSE/IMPEDANCE

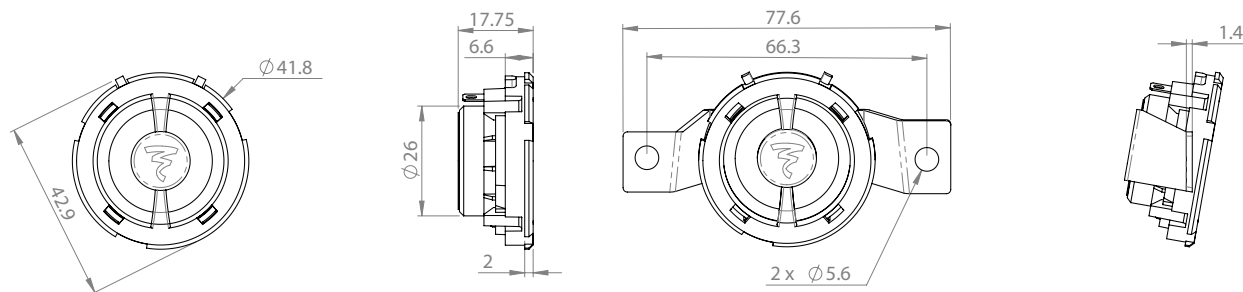


PARAMETERS

Rdc	3.5Ω
Fs	3,200Hz
SPL	88dB

MECHANICAL DRAWING

Dimensions in mm



FOCAL[®] INSIDE

ORCA DESIGN & MFG. CORP | CAMARILLO, CA | ORCADESIGN.COM | FOCAL AMERICA | FOCAL-AMERICA.COM

FOCAL[®]
LISTEN BEYOND