

# IC FORD 690

Technical Sheet

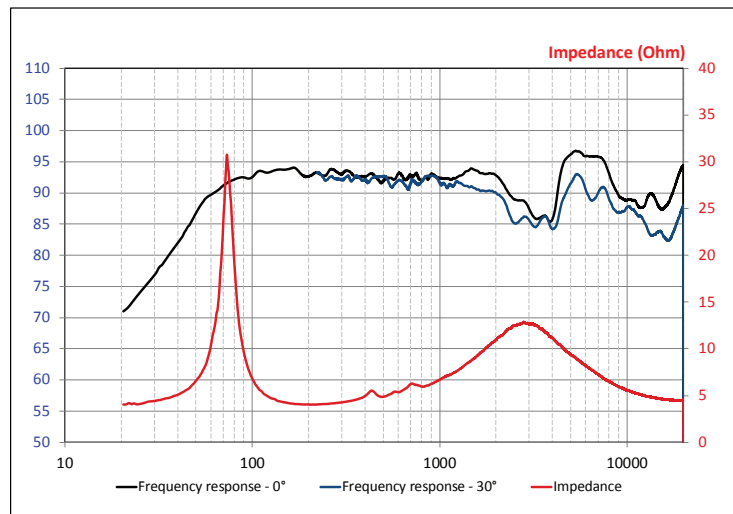
## Coaxial speaker



## SPECIFICATIONS

Nominal power	75W
Maximum power	150W
Sensitivity	92dB
Nom. impedance	4Ω
Cone	Black Polyglass
Surround	Butyl
DC resistance	3.8Ω
VC diameter	30mm 1 3/16"
Former	Kapton
Layers	2
Wire	Copper
Net weight	1070g 2.36lbs

## FREQUENCY RESPONSE/IMPEDANCE

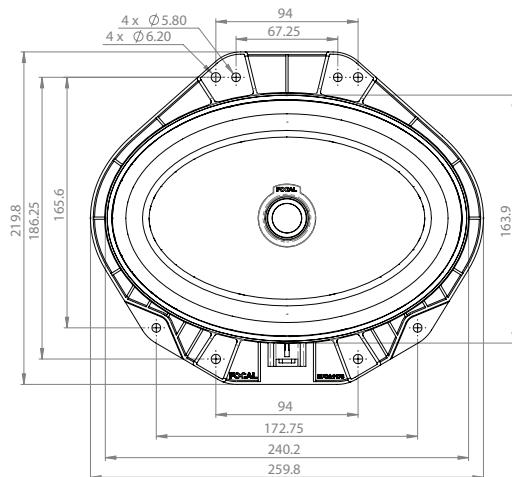
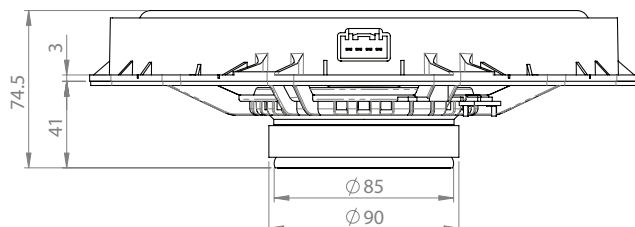


## PARAMETERS

Rdc	3.79Ω
Fs	74.1Hz
Mms	19.7g
Cms	0.234mm/N
Vas	16.05l
Qts	1.06
Qes	1.14
Qms	8.17
Bxl	5.5N/A
Sd	220cm <sup>2</sup>
SPL	89dB
Xmax	3mm

## MECHANICAL DRAWING

Dimensions in mm



FOCAL® INSIDE

ORCA DESIGN & MFG. CORP | CAMARILLO, CA | ORCADESIGN.COM | FOCAL AMERICA | FOCAL-AMERICA.COM

FOCAL®  
LISTEN BEYOND