

# IS TOY 690

Technical Sheet

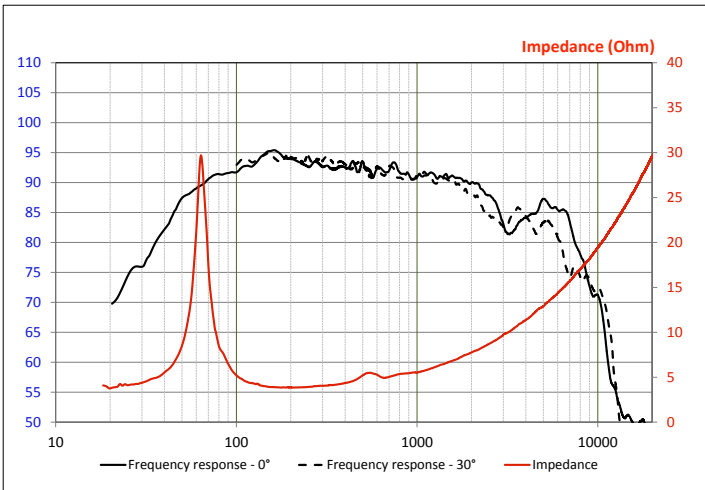
## Woofer



## SPECIFICATIONS

Nominal power	75 W	
Maximum power	150 W	
Sensitivity	92.3dB	
Nom. impedance	4 Ω	
Cone	Black Polyglass	
Surround	Butyl	
DC resistance	3.6 Ω	
VC diameter	30 mm	1 3/16"
Former	Kapton	
Layers	2	
Wire	Copper	
Magnet d x h	90x15mm	3 9/16 x 9/16"
Net weight	1050g	2.3lbs

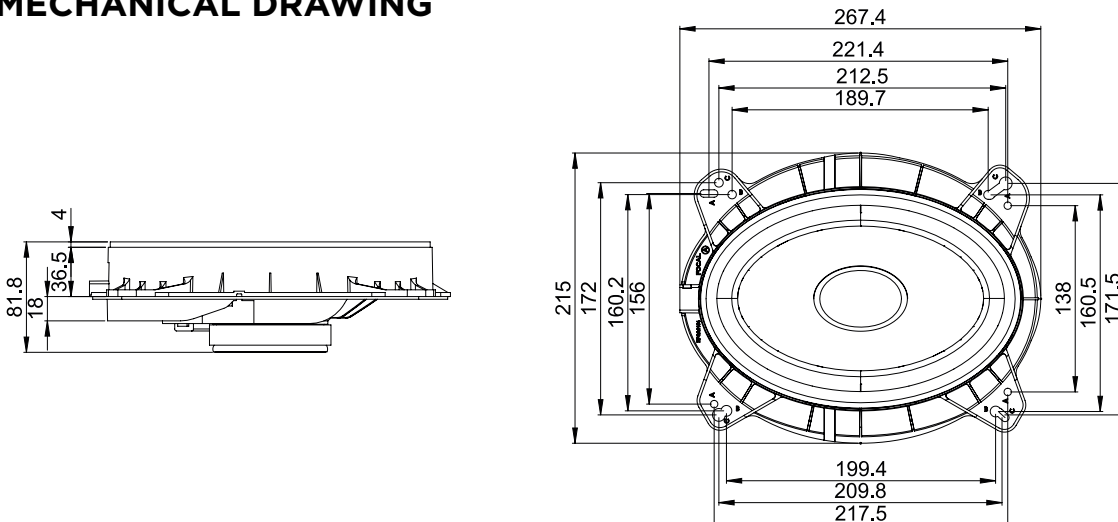
## FREQUENCY RESPONSE/IMPEDANCE



## PARAMETERS

Rdc	3.6 Ω
Fs	65 Hz
Mms	21.8 g
Cms	0.271 mm/N
Vas	18.7L
Qts	0,98
Qes	1,1
Qms	8,85
Bxl	5.42 N/A
Sd	221 cm <sup>2</sup>
SPL	88.8dB
Xmax	3.25mm

## MECHANICAL DRAWING



**FOCAL® INSIDE**

Focal® is a trademark of Focal-JMLab® - [www.focal.com](http://www.focal.com) - SCAA190919/1

**FOCAL®**  
LISTEN BEYOND

# TWEETER TOY

Technical Sheet

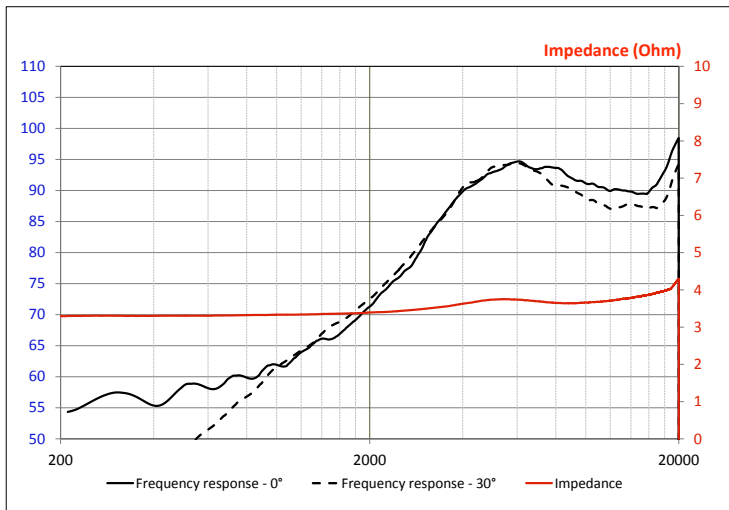
## Tweeter



## SPECIFICATIONS

Nominal power	15W
Maximum power	100W
Sensitivity	91dB
Nom. impedance	4 Ω
Cone	Alu/Mg
Surround	Fabric
DC resistance	3.5 Ω
Former	Kapton
Layers	2
Wire	Alu
Net weight	40g <span style="float: right;">0.08lbs</span>

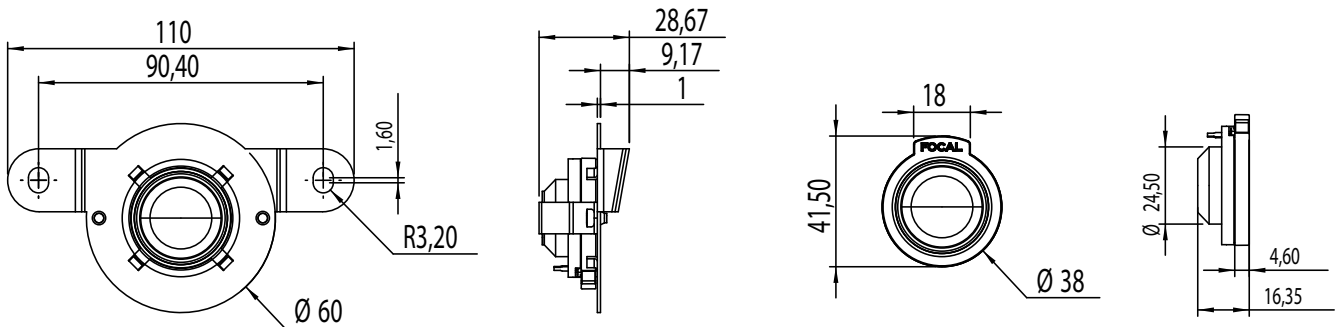
## FREQUENCY RESPONSE/IMPEDANCE



## PARAMETERS

Rdc	3.5 Ω
Fs	3500 Hz
SPL	87dB

## MECHANICAL DRAWING



**FOCAL® INSIDE**

Focal® is a trademark of Focal-JMLab® - [www.focal.com](http://www.focal.com) - SCAA190919/1

**FOCAL®**  
LISTEN BEYOND