

FLAX EVO

PS 165 F3E

Technical Sheet

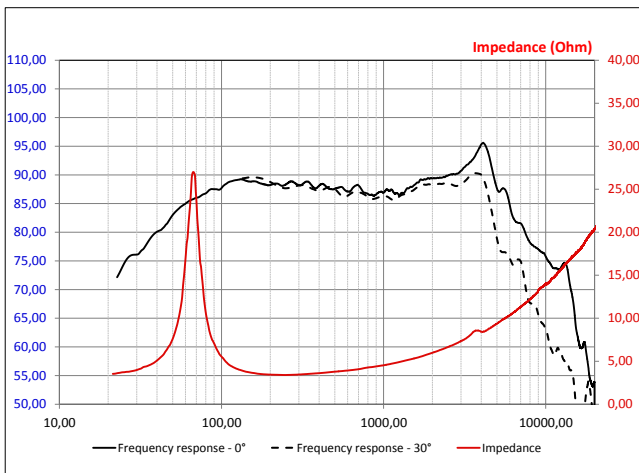
6½" Woofer



SPECIFICATIONS

Nominal power	80W	
Maximum power	160W	
Sensitivity	90.5dB	
Nom. impedance	4Ω	
Cone	Flax	
Surround	TMD - Rubber	
DC resistance	3.2Ω	
VC diameter	32mm	1¼"
Former	Kapton	
Layers	2	
Wire	Copper	
Net weight	1,150g	2.54lbs
Frequency response	60-28kHz	
Crossover	18dB/Oct @600-4,000 Hz	

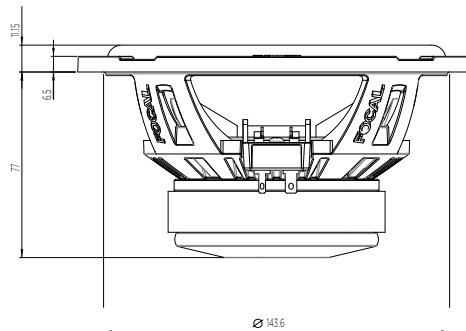
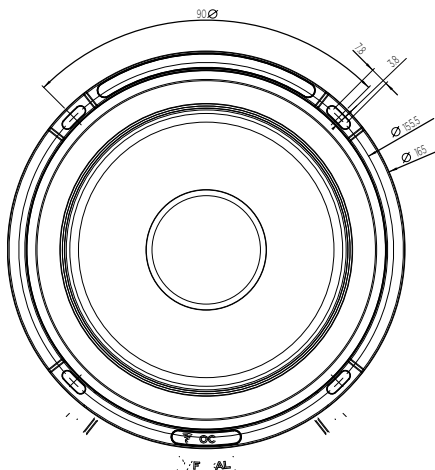
FREQUENCY RESPONSE/IMPEDANCE



PARAMETERS

Rdc	3.2Ω
Fs	60Hz
Mms	14.5g
Cms	0.44mm/N
Vas	12l
Qts	0.8
Qes	0.9
Qms	9
Bxl	4.5N/A
Sd	127cm²
SPL	90.5db
Xmax	5

MECHANICAL DRAWING



FLAX EVO

PS 165 F3E

Technical Sheet

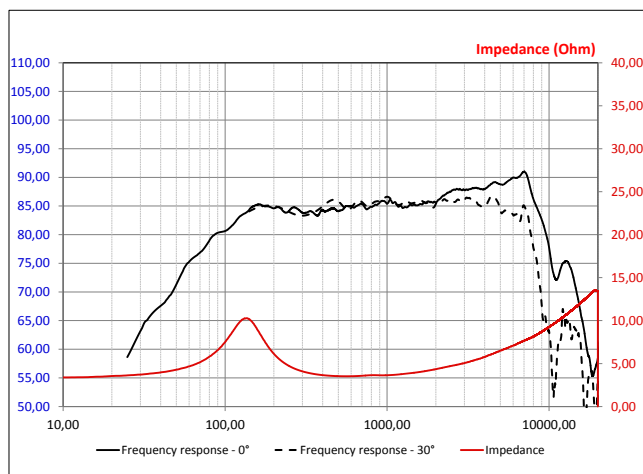
3" Midrange



SPECIFICATIONS

Nominal power	30W	
Maximum power	160W	
Sensitivity	87.5dB	
Nom. impedance	4Ω	
Cone	Flax	
Surround	TMD - Rubber	
DC resistance	3.3Ω	
VC diameter	25mm	1"
Former	Kapton	
Layers	2	
Wire	Copper	
Net weight	160g	0.35lbs
Frequency response	60-28kHz	
Crossover	18dB/Oct @600-4,000 Hz	

FREQUENCY RESPONSE/IMPEDANCE



PARAMETERS

Rdc	3.3Ω
Fs	145Hz
Mms	4.1g
Cms	0.28mm/N
Vas	0.5 l
Qts	0.7
Qes	1
Qms	3
Bxl	43.5N/A
Sd	34cm ²
SPL	87.5db
Xmax	1

MECHANICAL DRAWING

