

HDA 165 2014 UP

Technical Sheet

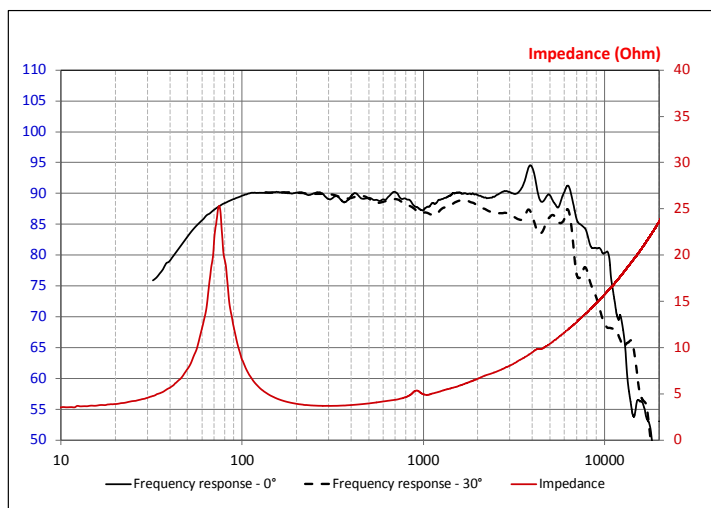
Woofer



SPECIFICATIONS

| | |
|----------------|---------------|
| Nominal power | 80 W |
| Maximum power | 160 W |
| Sensitivity | 91 dB |
| Nom. impedance | 4 Ω |
| Cone | DFS |
| Surround | Butyl |
| DC resistance | 3.5 Ω |
| VC diameter | 25 mm 1" |
| Former | Kapton |
| Layers | 2 |
| Wire | Copper |
| Net weight | 850 g 1.87lbs |

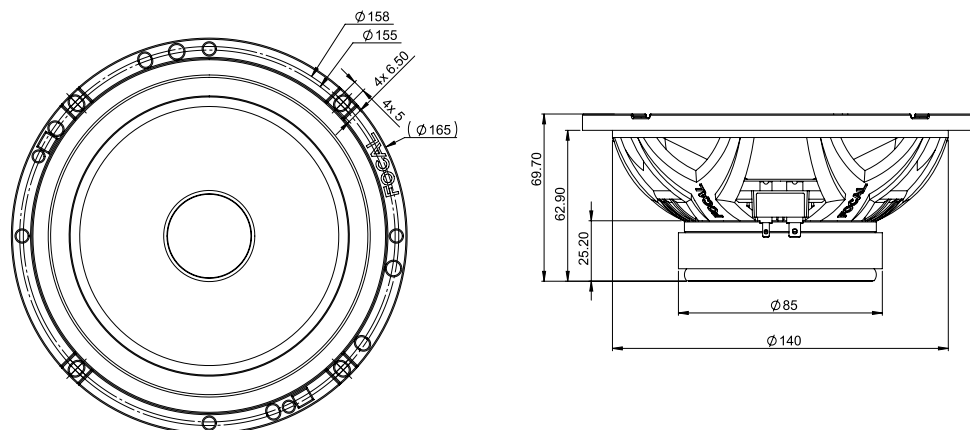
FREQUENCY RESPONSE/IMPEDANCE



PARAMETERS

| | |
|------|--------------|
| Rdc | 3.5 Ω |
| Fs | 70 Hz |
| Mms | 14 g |
| Cms | 0.34 mm/N |
| Vas | 8.9 l |
| Qts | 0.9 |
| Qes | 1.03 |
| Qms | 7.5 |
| Bxl | 4.7 N/A |
| Sd | 136 cm |
| SPL | 91 dB |
| Xmax | 3 mm |

MECHANICAL DRAWING



FOCAL® INSIDE

Focal America | Camarillo, CA | 888.340.4403 | www.focal-america.com

FOCAL®
LISTEN BEYOND

HDA 165 2014 UP

Technical Sheet

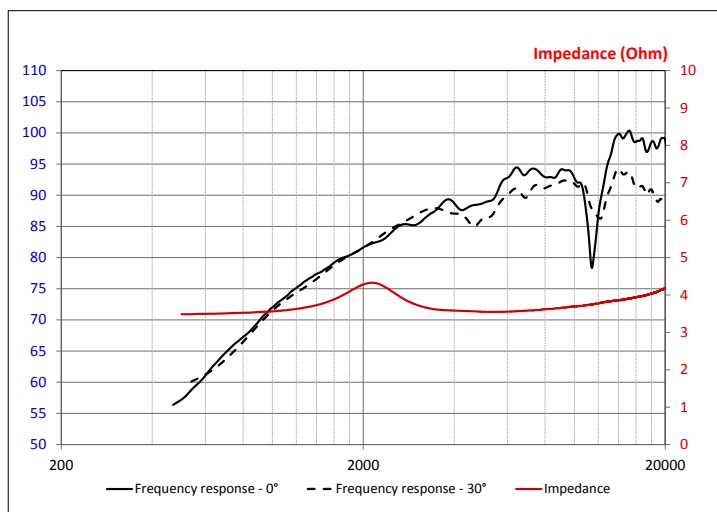
Tweeter



SPECIFICATIONS

| | |
|----------------|-------------------------|
| Nominal power | 20 W |
| Maximum power | 200 W |
| Sensitivity | 95 dB |
| Nom. impedance | 4 Ω |
| Cone | Aluminium |
| Surround | Poron |
| DC resistance | 3.5 Ω |
| VC diameter | 20 mm $1\frac{3}{16}$ " |
| Former | Kapton |
| Layers | 2 |
| Wire | Alu |
| Net weight | 60 g 0.13lb |

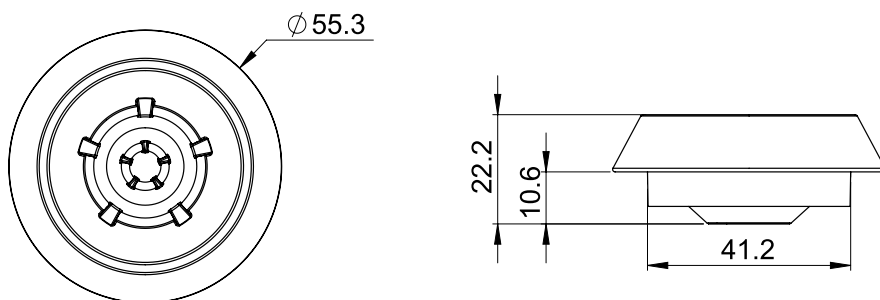
FREQUENCY RESPONSE/IMPEDANCE



PARAMETERS

| | |
|-----|--------------|
| Rdc | 3.5 Ω |
| Fs | 2000 Hz |

MECHANICAL DRAWING



FOCAL® INSIDE

Focal America | Camarillo, CA | 888.340.4403 | www.focal-america.com

FOCAL®
LISTEN BEYOND