

UNIVERSAL ICU570

Technical Sheet

Woofer

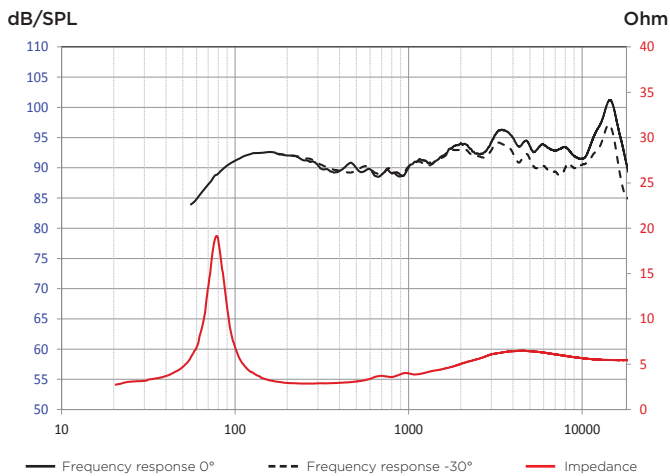


- Polyglass cone, natural sound
- Compact dimensions, easy to install

SPECIFICATIONS

Nominal power	70W RMS	
Maximum power	140W	
Sensitivity (2,83V/1m)	94dB	
Frequency response	60Hz-21kHz	
Cone type	Polyglass	
Surround type	Butyl	
Nom. impedance	4Ω	
VC diameter	25mm	1"
Net weight	950g	2.1lbs

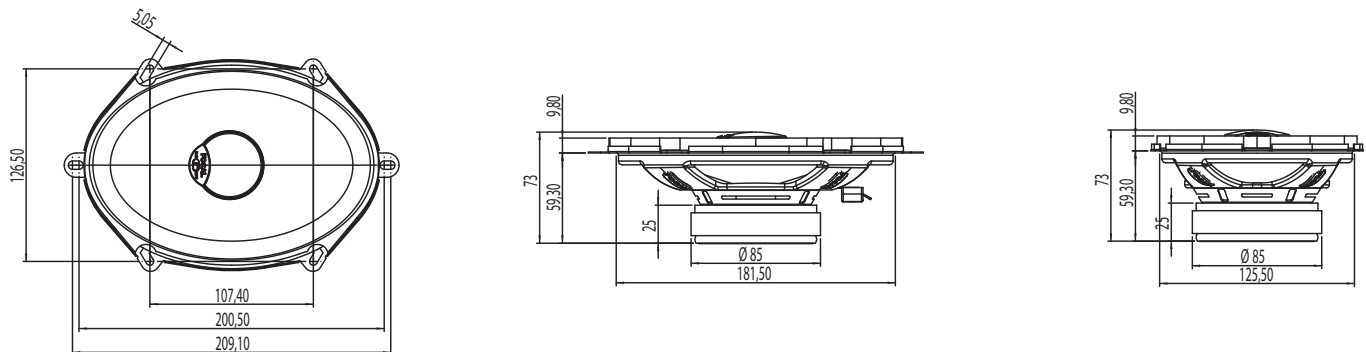
FREQUENCY RESPONSE/IMPEDANCE



PARAMETERS

Fs	80Hz
Vas	11.3l
Qts	0.79
Qes	0.9
Qms	6
Re	2.8Ω
Sd	153cm ²
Cms	0.34mm/N
Mms	12.5g
Bl	4.3N/A

MECHANICAL DRAWING



Integration
INSTANT GRATIFICATION