

FPS 2160

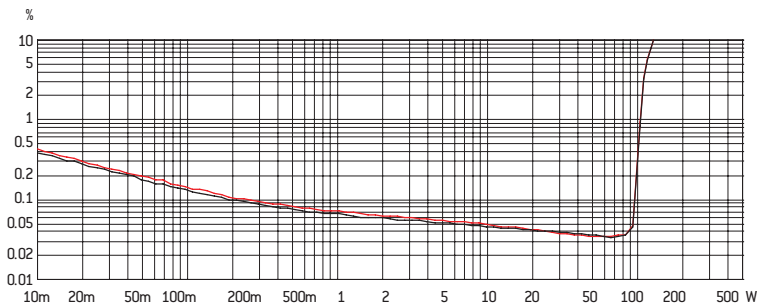
Audiophile, Powerful... Always

- Symmetrical design
- Direct mode
- High-pass, low-pass and band-pass crossovers
- Controlled cooling system
- Stable 1 ohm

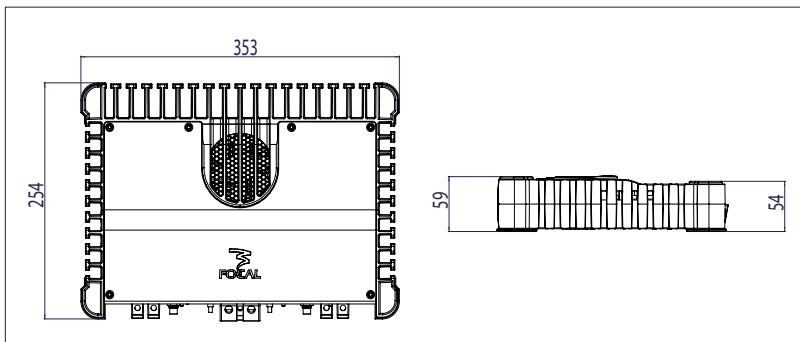


THD / Power

FPS 2160 measured at 14,4V/4ohms/1V/1kHz



Mechanical Drawing

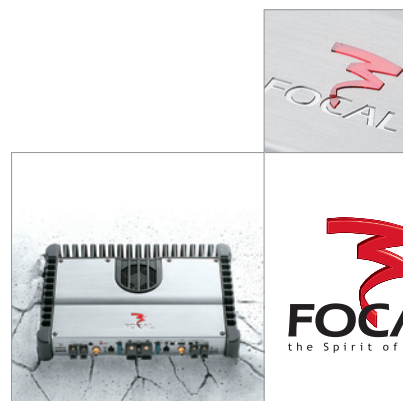


Specifications

RMS power - 14.4V 4Ω - THD+N < 1% (CEA 2006)	2 x 105W
RMS power - 14.4V 2Ω - THD+N < 1%	2 x 180W
RMS power - 14.4V 1Ω - THD+N < 1%	-
RMS power in bridged mode 14.4V / 4Ω - THD+N < 1%	1 x 360W
RMS power in bridged mode 14.4V / 2Ω - THD+N < 1%	-
Frequency response (-1 dB) in direct mode	10Hz - 52kHz
Signal/noise ratio (@ CEA power)	92dBA
Distortion into 4 Ohms @ 1kHz (with 22kHz low-pass)	< 0.05% between 10 and 95W
Distortion into 4 Ohms @ 100Hz (with 22kHz low-pass)	-
Crosstalk (@ 1kHz - 10V - 4 Ohms)	> 64dB
Damping factor into 4 Ω at 100Hz	250
Input impedance	13kΩ
Input sensitivity	0.2V - 5.2V
High-pass crossover	50Hz - 500Hz 500Hz - 5kHz-
Low-pass crossover	50Hz - 500Hz 500Hz - 5kHz
Bandpass crossover	50Hz - 500Hz 500Hz - 5kHz
Subsonic crossover	-
Direct mode	Yes
Bass boost level	-
Bass Boost center frequency	-
Variable phase (SUB)	-
Remote control	-
Maximum gauge of the power cables	35mm ² / 2 AWG
Standby consumption	0.8A
Fuse(s)	2*30A
Protections	Short-circuit Thermal overload (78°C) Soft clipping High voltage Polarity reversal
Dimensions (H x L x D)	59 x 353 x 254mm

Focal® is a trademark of Focal-JMlab® - BP 374 - 108, rue de l'Avenir - 42353 La Talaudière cedex France - Tél. (33) 04 77 43 57 00 - Fax (33) 04 77 37 65 87 - www.focal-fr.com - SCAZ100418/1

Due to constant technological advances, Focal reserves its right to modify specifications without notice. Images may not conform exactly to specific product.



FOCAL
the Spirit of Sound