

Performance Sub P 30 DB



Dual voice-coil 12" (30cm) subwoofer

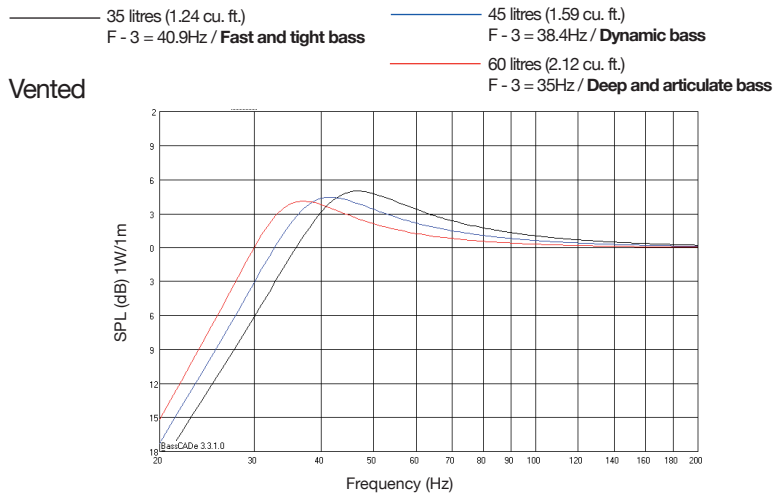


- 2x4 Ohms dual voice-coil
- [5^{11/16"}] 145mm dual ferrite
- For sealed or vented box

SPECIFICATIONS

Nominal power	300W	
Maximum power	600W	
Sensitivity	93.4dB	
Cone	Polypropylene	
Surround	Butyl	
Nom. impedance	4 Ohms	
DC resistance	2x2.4 Ohms	
VC diameter	60mm	2 ^{3/8"}
VC height	28mm	1 ^{1/8"}
Former	Kapton	
Layers	4	
Wire	Copper	
Inductance	0.91mH	
Xmax	9mm	0 ^{3/8"}
Magnet d x h	145x32mm	5 ^{11/16"} x1 ^{1/4"}
Magnet weight	1600g	3.53lb
Flux density	-	
Gap height	10mm	
Net weight	5700g	12.57lb

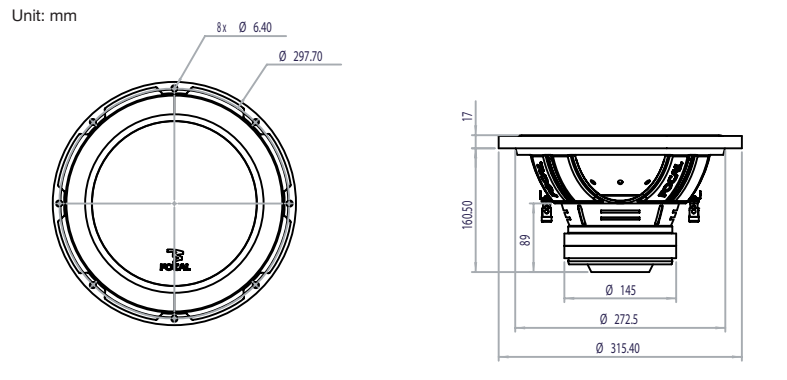
SUGGESTED APPLICATION



PARAMETERS

Fs	29.4Hz
Vas	56.76 l
Qts	0.427
Qes	0.46
Qms	6
Re	1.7 Ohm
Sd	510.7cm ²
Cas	4.04E-7m ⁵ /N
Mas	72.51kg/m ⁴
Ras	2232.52 Ohms.ac
Cms	1.55E-4m/N
Mms	189.13g
Rms	5.823kg/s
Ces	1383.43mF
Les	21.18mH
Res	23.48 Ohms
Bl	11.69 N/A
SPL	86.8 dB/W/m

MECHANICAL DRAWING



SUGGESTED APPLICATION

Load	Volume	Port diameter	Port length
Vented	35	8 (3 ^{1/8"})	20 (7 ^{7/8"})
Vented	45	8 (3 ^{1/8"})	17 (6 ^{11/16"})
Vented	60	10 (3 ^{15/16"})	25 (9 ^{13/16"})

Load	Volume	F-3 (Hz)	Ql
Sealed	25	49	0.77
Sealed	35	48.7	0.69
Sealed	45	49.1	0.64