

Performance Sub P 25 DB



Dual voice-coil 10" (25cm) subwoofer

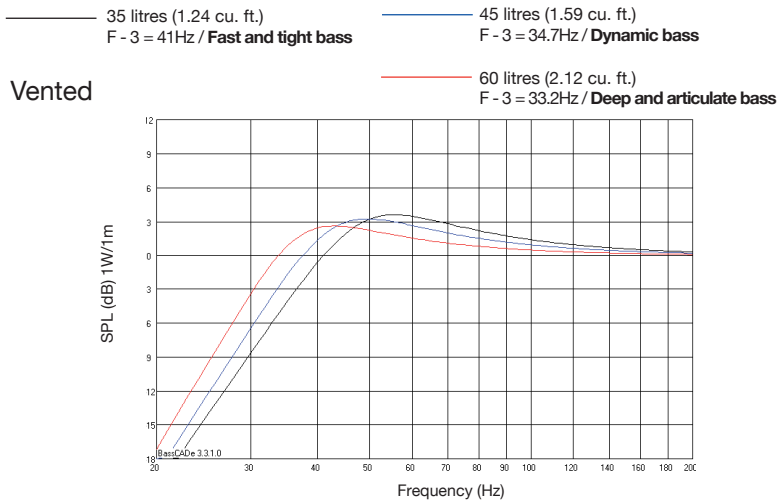


- 2x4 Ohms dual voice-coil
- [5^{11/16"}] 145mm dual ferrite
- For sealed or vented box

SPECIFICATIONS

Nominal power	250W	
Maximum power	500W	
Sensitivity	90.9dB	
Cone	Polypropylene	
Surround	Butyl	
Nom. impedance	4 Ohms	
DC resistance	2x2.4 Ohms	
VC diameter	50mm	2"
VC height	25mm	1"
Former	Kapton	
Layers	4	
Wire	Copper	
Inductance	0.27mH	
Xmax	8.5 mm	0 ^{5/16"}
Magnet d x h	145x32mm	5 ^{11/16"} x1 ^{1/4"}
Magnet weight	1600g	3.53lb
Flux density	-	
Gap height	8mm	0 ^{5/16"}
Net weight	4900g	10.8lb

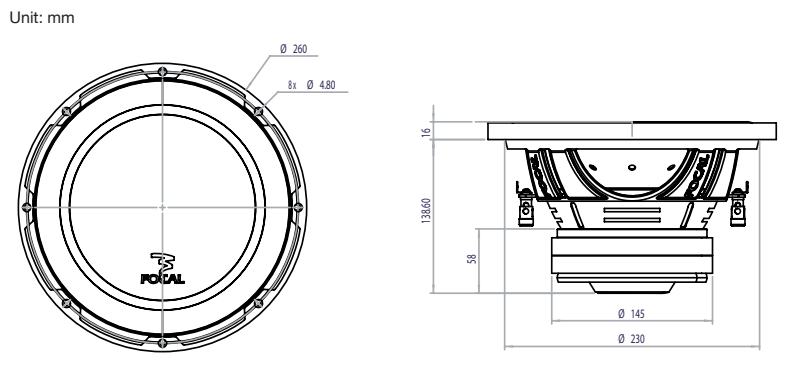
SUGGESTED APPLICATION



PARAMETERS

Fs	27.46Hz	
Vas	40.72 l	
Qts	0.431	
Qes	0.47	
Qms	5.21	
Re	1.7 Ohm	
Sd	346.36cm ²	
Cas	2.90E-7m ⁵ /N	
Mas	115.87kg/m ⁴	
Ras	3837.08 Ohms.ac	
Cms	2.42E-4m/N	
Mms	139g	
Rms	4.603kg/s	
Ces	1556.61mF	
Les	21.58mH	
Res	19.4 Ohms	
BI	9.45 N/A	
SPL	84.38 dB/W/m	

MECHANICAL DRAWING



SUGGESTED APPLICATION

Load	Volume	Port diameter	Port length
Vented	35	8 (3 ^{1/8"})	20 (7 ^{7/8"})
Vented	45	8 (3 ^{1/8"})	22 (8 ^{2/3"})
Vented	60	8 (3 ^{1/8"})	17 (6 ^{11/16"})

Load	Volume	F-3 (Hz)	Ql
Sealed	15	46.2	0.83
Sealed	25	45.1	0.7
Sealed	35	45.6	0.6