

21 WX Be

8" Utopia Be® subwoofer



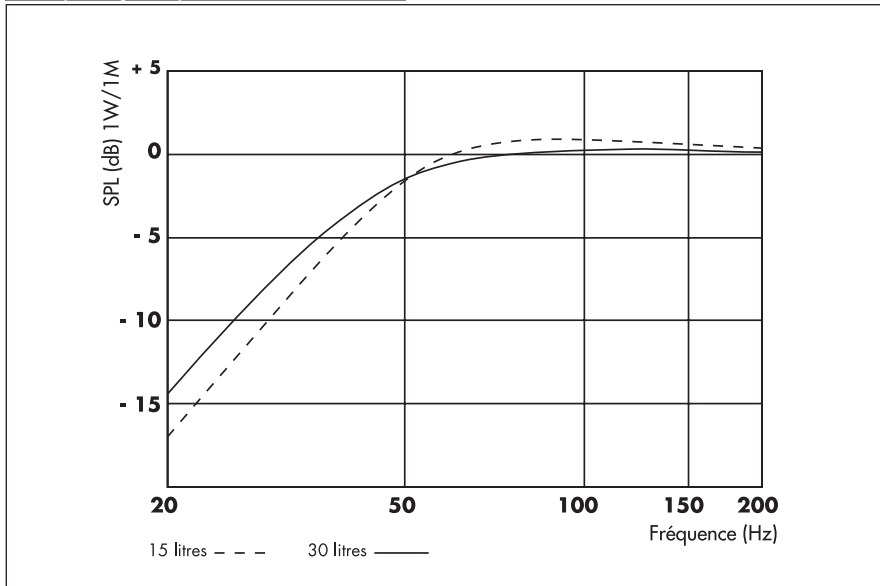
- Multiferrite magnet
- W cone
- For compact closed box
- High power handling



Specifications

| | | |
|-----------------------|----------|--------------|
| Nominal power | 250 W | |
| Maximum power | 500 W | |
| Sensitivity (2.83V/m) | 86.5 dB | |
| Cone | W | |
| Surround | Rubber | |
| Nom. impedance | 4 ohm | |
| DC resistance | 3.4 ohm | |
| VC diameter | 50 mm | 2 in |
| VC height | 25 mm | 1 in |
| Former | Aluminum | |
| Layers | 2 | |
| Wire | Copper | |
| Inductance | 1.13 mH | |
| Xmax | 8.5 mm | 0.33 in |
| Magnet (12 units) | 15x45 mm | 0.6 x 1.8 in |
| Magnet weight | 1.3 kg | 2.9 lbs |
| Flux density | 0.85 T | |
| Gap height | 8 mm | 0.31 in |
| Net weight | 4 kg | 8.8 lbs |

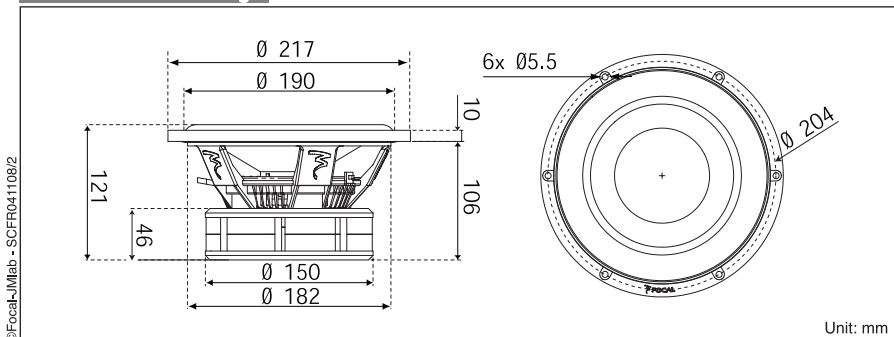
Frequency Response



Parameters

| | |
|-----|----------------------------|
| Fs | 36.63 Hz |
| Vas | 18.8 l |
| Qts | 0.6 |
| Qes | 0.77 |
| Qms | 2.81 |
| Re | 3.4 ohm |
| Sd | 208.67 cm ² |
| Cas | 1.34E-07 m ⁵ /N |
| Mas | 141.01 kg/m ⁴ |
| Ras | 11549.11 ohm.ac |
| Cms | 3.07E-04 m/N |
| Mms | 61.4 g |
| Rms | 5.029 kg/s |
| Ces | 984 mF |
| Les | 19.19 mH |
| Res | 12.41 ohm |
| BI | 7.9 N/A |
| SPL | 82.63 dB/W/m |

Mechanical Drawing



Suggested application

| Load | V (l) | Fb (Hz) | F-3 (Hz) | Ql |
|--------|-------|---------|----------|-------|
| Sealed | 30 | - | 43 | 0.77 |
| Sealed | 15 | - | 45 | 0.907 |

©Focal-JMlab - SCFR041108/2

Focal® is a trademark of Focal-JMlab®

ORCA Design & Manufacturing Corp. 804 Calle Plano Camarillo, CA 93012 tel: (888) 340-4403 www.focal-america.com