

165 KRC

6" K2 Power Coaxial Kit

- Adjustable tweeter
- High power handling
- Butyl surround



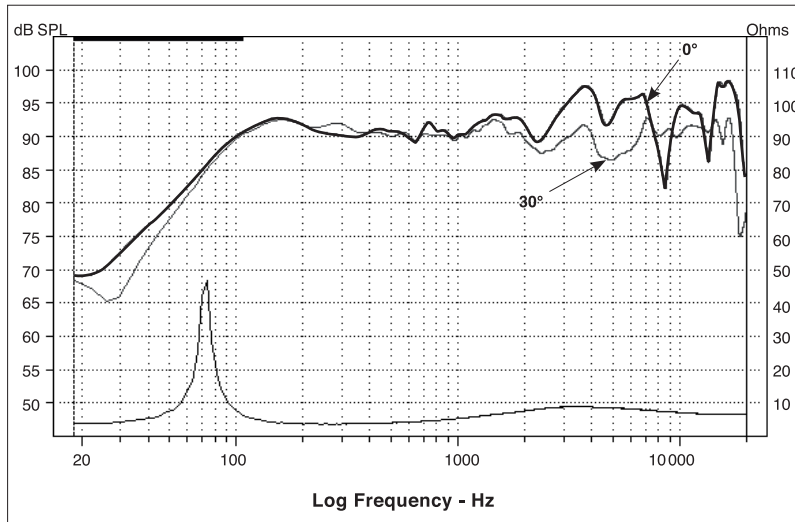
Specifications

Nominal power	80W	
Maximum power	160W	
Sensitivity	93dB	
Cone	CKMV	
Surround	Butyl	
Nom. impedance	4 ohms	
DC resistance	3,2 ohms	
VC diameter	25mm	
VC height	15mm	
Former	Kapton®	
Layers	2	
Wire	Copper	
Inductance	0,23mh	
Xmax	5mm	3/16 in
Magnet d x h	85 x 17mm	3-1/3x2/3 in
Magnet weight	0.4kg	0,88 lb
Flux density	1T	
Gap height	5mm	3/16 in
Net weight	1.2 kg	2,65 lb

Parameters

Fs	86.26Hz
Vas	6.46l
Qts	0.753
Qes	0.82
Qms	9.17
Re	3.2 ohms
Sd	132.73cm²
Cas	4.6E-08 m5/N
Mas	73.96kg/m4
Ras	4371.31 ohms.ac
Cms	2.61E-04 m/N
Mms	13.03g
Rms	0.770kg/s
Ces	475.77mF
Les	7.16mH
Res	35.56 ohms
BI	5.23 N/A
SPL	88.88dB/W/m

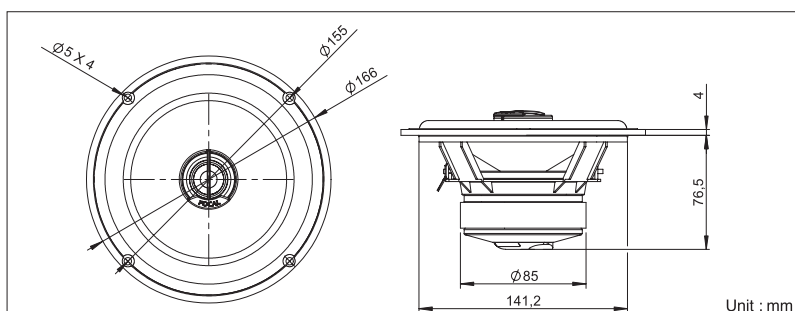
Frequency Response / Impedance



Suggested application

Load	V (l)	Fb (Hz)	F-3 (Hz)	QI
Sealed	30	-	82	7

Mechanical Drawing



©Focal-JMlab - DB080418/1

ORCA Design & Manufacturing Corp. 804 Calle Plano Camarillo, CA 93012 tel: 888-340-4403
www.focal-america.com Focal® is a trademark of Focal-JMlab®

